



# TECHNICAL DATASHEET

## TAB POLAR S10H

### ORDER INFORMATION

TAB ID  
**246600**

Short Code  
**S10H**

DIN Marking  
**60038 SMF**

EAN Code  
**3838807038479**

Quantity per EU/CNT pallet  
**36/60 pcs**

### TECHNOLOGY

Primary Function  
**Engine Start**

Battery Technology  
**Flooded**

Grid Type (pos/neg)  
**Expanded/Concasted**

Grid Alloy (pos/neg)  
**Ca/Ca**

Separator  
**PE**

Electrolyte (g/cm<sup>3</sup>)  
**1,28**

### TECHNICAL INFORMATION

Voltage (V)  
**12**

Capacity C20 (Ah)  
**100**

CCA -18°C EN (A)  
**850**

RC (min)  
**182**

LxWxH (mm)  
**353x175x190**

Total Weight (kg)  
**22.4**

### BOX DESIGN

Box Type  
**L5**

Cover Type  
**SMF**

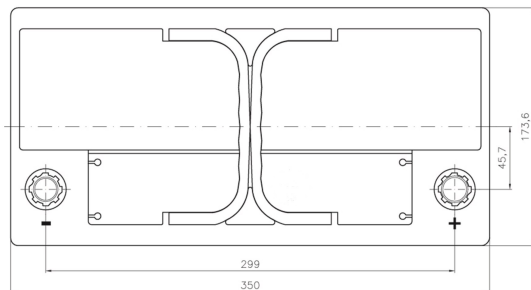
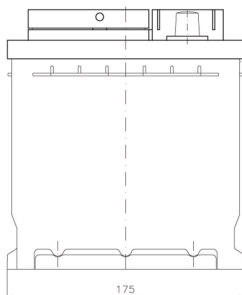
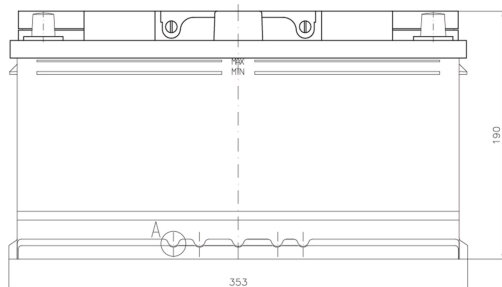
Colour  
**Black**

Layout  
**0**

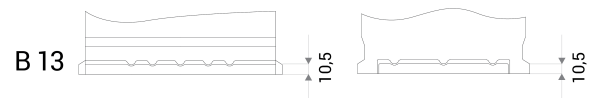
BHD  
**B13**

Terminal  
**1**

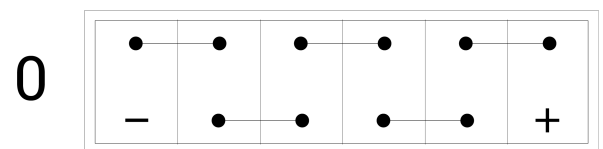
## DRAWING



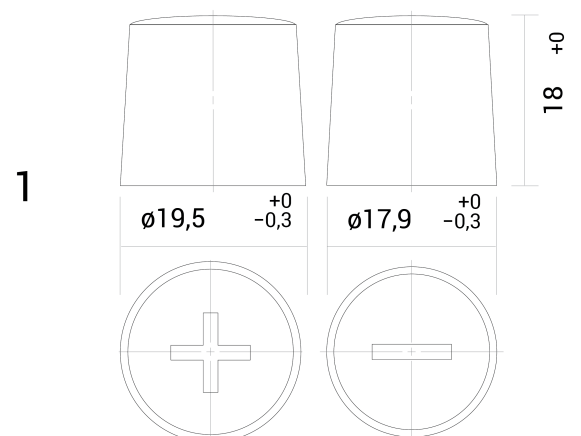
## BHD



## LAYOUT



## TERMINAL



# TECHNICAL DATASHEET

## TAB POLAR S10H